

FORMAT LAPURAN TAHUNAN 2007 RANGKAIAN PPK

Institut: Pusat Penyelidikan Klinikal Hospital Ipoh

A. Penyelidikan

#	Jenis Penyelidikan	Total Ongoing	Total Completed
1.	Clinical Trial	8	2
2.	Clinical Epidemiology	2	4
3.	Patient Registry	-	-
4.	Clinical Economics	-	-
5.	Health System Research	6	6
6.	Evidence Based Medicine	1	-

Senarai Penyelidikan (Bahagian A)

1. Clinical Trial
 - a. Real-Life effectiveness and care pattern of diabetes management in Asia Pacific -The AP RECAP-DM Study – On Going
 - b. A factorial randomized controlled trial of BP lowering with a fixed low-dose perindopril-indapamide combination & intensive glucose control with a modified-release gliclazide (gliclazide MR) based regimen for the prevention of vascular disease among high risk individuals with type 2 DM (Advance Study) (Started March 2002) – On going.
 - c. An efficacy and tolerability study of MK0533 in patients with type 2 diabetes mellitus who have inadequate glycemetic control. MK0533 PN005 (Started June 2006) – On Going
 - d. A multicenter, randomized, double blind factorial study of the co-administration of MK0431 and metformin in patients with type 2 diabetes mellitus who have inadequate glycemetic control. MK0431 PN036 (Started May 2005) – On Going
 - e. Rheumatoid Arthritis Project: Environmental Risk Factors of Rheumatoid Arthritis: Hospital Based Case-Control Study. Collaboration with IMR, University of Karolinska Sweden, and Vietnam. (Jan 2004 – 2008) – On Going
 - f. A Randomized, Open-label, Study in the Asia-Pacific Region Comparing the Safety and Efficacy of Etanercept with usual DMARD Therapy in Subjects with Rheumatoid Arthritis.0881A1-408-AP (2007-2008) – On Going
 - g. A Multicenter, Randomized, Double-blind, Placebo-controlled Trial of Golimumab, a Fully Human Anti-TNF α Monoclonal Antibody, Administered Intravenously, in Subjects with Active Rheumatoid Arthritis Despite Methotrexate Therapy.C0524T12 (Dec 2006 – 2008) – On Going
 - h. Study of Heart and Renal Protection (SHARP) Multicenter international trial (2003-2008) – On Going
 - i. A randomized, double blind, placebo controlled, parallel group study to assess the effect of the endothelin receptor antagonist avosentan on time to doubling of serum creatinine, end stage renal disease or death in patients with type 2 diabetes mellitus & diabetic nephropathy. SPP301CRD15 (Feb 2006 - Jan 2007) – Completed
 - j. Sitagliptin 100mg in patients with type 2 diabetes with inadequate glycemetic control on metformin monotherapy. MK0431 PN801 (June 2006 - Feb 2007) – Completed
2. Clinical Epidemiology
 - a. Global Childhood Unintentional Injury Surveillance Manual: Interviews with caregivers of injured children arriving to emergency rooms. (October 2007) – On Going
 - b. Improving patient safety: Vaccination safety” – improving the cold chain of GPs – On Going
 - c. An evaluation of the implementation of the malaria prevention and control strategies in Orang Asli in Perak – Completed
 - d. Improving Patient Safety : Medical Safety –Inpatient care – Sampling completed
 - e. A Cross Sectional Prospective Intervention Study On The Notification of Notifiable Diseases Amongst Private Doctors in Registered Private Medical Clinics In The State of Perak, Malaysia – Completed
 - f. Study on Morbidity and Mortality among dialysis population in West Malaysia (HDP). Multicenter MOH trial (Jan-Dec 2007) - Completed
3. Health System Research
 - a. Effective implementation of a structured psychoeducation programme among caregivers of schizophrenia patients in the community – Completed
 - b. The Involvement of Lay Educators In Diabetic Control Of Type 2 Diabetic Patients – Completed
 - c. An Evaluation of the Effectiveness of the Diabetic Foot Program in Primary Care Setting in Larut Matang and Selama – Completed
 - d. Adequacy of out-patient management of essential hypertension in selected primary health clinics in Perak – Final Report
 - e. To study the effectiveness of an intervention program among overweight and obese school children in the district of Kinta – Completed
 - f. Improving the knowledge on oral hypoglycaemic medications among type 2 diabetic patients in OPDs at Hilir Perak – Completed
4. Evidence Based Medicine - SEA Orchid Project South East Asia – Optimising Reproductive and Child Health Outcomes in Developing Countries – On Going

FORMAT LAPURAN TAHUNAN 2007 RANGKAIAN PPKInstitut: Pusat Penyelidikan Klinikal Hospital Ipoh**B. Latihan/Kursus/Bengkel**

#	Nama	Jangkamasa (Duration)	Jumlah Calon	Kolaborasi
January 2007				
1.	Research Presentation - 5 completed research papers presented to hospital administration and clinical departments	Single day	25	Institut Health System Research, Jabatan Kesihatan Negeri
2.	State HSR research progress report meeting. 7 research projects presented progress reports.	Single day	40	Institut Health System Research, Jabatan Kesihatan Negeri
February 2007				
3.	QA training workshop – development of research methodology	2 days	90	Unit Quality Hospital Ipoh
March 2007				
4.	State HSR Research Workshop (Part 2). Research course on developing a SPSS database	2 days	40	Institut Health System Research, Jabatan Kesihatan Negeri
April 2007				
5.	Training on Evidence based Research Methodology – “How to do systemic review”	3 day	25	SEA-ORCHID project team
July 2007				
6.	Research training for Sabah & Perak Public Health Nurses	3 day	35	Institut Health System Research
August 2007				
7.	Research methodology & Applied SPSS Workshop at	3 day	25	JB CRC, IHSR
8.	Training on Evidence based Research Methodology – “Critical appraisal”	3 day	25	SEA-ORCHID project team
September 2007				
9.	Neonate Post Basic – Basic Research & Methodology Part I	3 day	10	Kolej Kejururawatan Ipoh – Bhg Post Basic Neonate, Jabatan Pediatric Hospital Ipoh
November 2007				
10.	State HSR Research Workshop (Part 3). “Data analysis and Report writing” with IHSR	4 day	40	Institut Health System Research, Jabatan Kesihatan Negeri
December 2007				
11.	Neonate Post Basic – Basic Research & Methodology Part II	3 day	10	Kolej Kejururawatan Ipoh – Bhg Post Basic Neonate, Jabatan Pediatric Hospital Ipoh

FORMAT LAPURAN TAHUNAN 2007 RANGKAIAN PPK
Institut: Pusat Penyelidikan Klinikal Hospital Ipoh

C. NMRR

#	Jenis Penyelidikan	Total reviewed	Total approved	Total Rejected
1.	Clinical Trial	1	-	1 (Registration not completed)
2.	Clinical Epidemiology	31	19 (12 Pending for revision)	-
3.	Clinical Economics	-	-	-
4.	Others (Registry)	1	1	-

NB: Many studies stil not registered

D. Penerbitan/Repot

#	Tajuk
1.	Effective implementation of a structured psychoeducation programme among caregivers of schizophrenia patients in the community – Final Report
2.	The Involvement of Lay Educators In Diabetic Control Of Type 2 Diabetic Patients – Final Report
3.	An Evaluation of the Effectiveness of the Diabetic Foot Program in Primary Care Setting in Larut Matang and Selama – Final Report
4.	Improving blood pressure control among patients with essential hypertension in the primary care setting – Final Report
5.	To study the effectiveness of an intervention program among overweight and obese school children in the district of Kinta – Final Report
6.	Improving the knowledge on oral hypoglycaemic medications among type 2 diabetic patients in OPDs at Hilir Perak – Final Report
7.	Are parents prepared to care of their preterm neonates after discharge from the NICU/SCN - Final Report
8.	Practice of sedation use for neonates before intubation in Malaysian NICUs - Final Report
9.	Is Daily Weighing Beneficial For The Preterm Neonate In NICU Ipoh Hospital As Compared To Biweekly Weighing - Final Report
10.	Prospective, hospital-based, multicentre-centre study to assess the incidence of intussusception 999910/222 (SERO-EPI-IS-222). - Manuscript

FORMAT LAPURAN TAHUNAN 2007 RANGKAIAN PPK

Institut: Pusat Penyelidikan Klinikal Hospital Ipoh

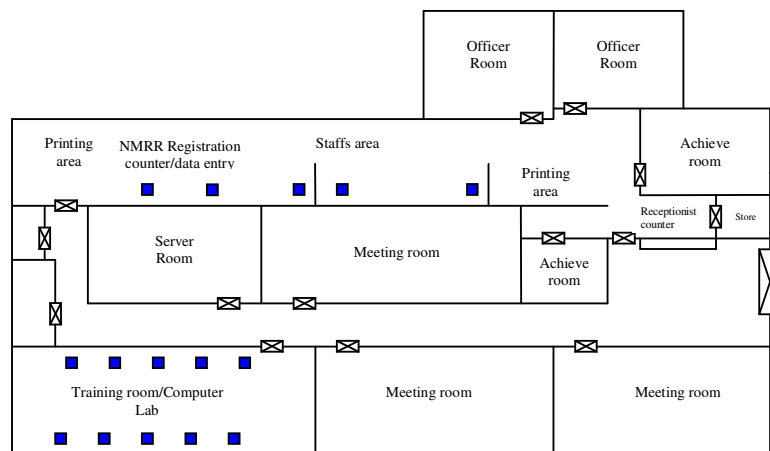
E. Konsultasi

Jenis Servis	Clinical Trial	Clinical Epidemiology & HSR	Clinical Economics	Others	JUMLAH
Study Design	-	28	-		28
Sample Size Planning	-	32	-		32
Proposal/Protocol Development	-	28	-		28
Data Management	-	14	-		14
Assistant with Statistic Software	-	5	-		5
Data Analysis	-	43	-		43
Others (report writing)		16			16
Others (identifying local researchers)	4	7	-		11
JUMLAH		Total not meaningful as there is an overlap	-		Total not meaningful as there is an overlap

F. Kemudahah-kemudahan di PPK untuk Kegunaan Penyelidik

#	Senarai kemudahan	Remarks
1.	Training room with 9 computer	
2.	Internet access for literature/articles search	
3.	Meeting room with moveable computer and LCD projector	
4.	Data entry area/computer	
5.	NMRR registration counter	

Perkembangan fizikal



FORMAT LAPURAN TAHUNAN 2007 RANGKAIAN PPK

Institut: Pusat Penyelidikan Klinikal Hospital Ipoh

G. Carta Organisasi yang terbaru

Director General of Health

Tan Sri Datuk Dr. Hj. Mohd Ismail Bin Merican

Director of Research

Datuk Dr. Ir. M. S. Pillay

Director of CRC Networks

Dr Lim Teck Onn

Director of Ipoh Hospital

Dr Tan Poey Chin

Head of CRC Ipoh Hospital

Dr Amar Singh HSS

Research Committee

Dr. Letchuman Ramanathan

Dr. Japaraj Ropert Peter

Dr. V. Paranthaman

Research Associate

Lina Hashim

Mohd Ridhwan Bin Mohd Noor (Kontrak)